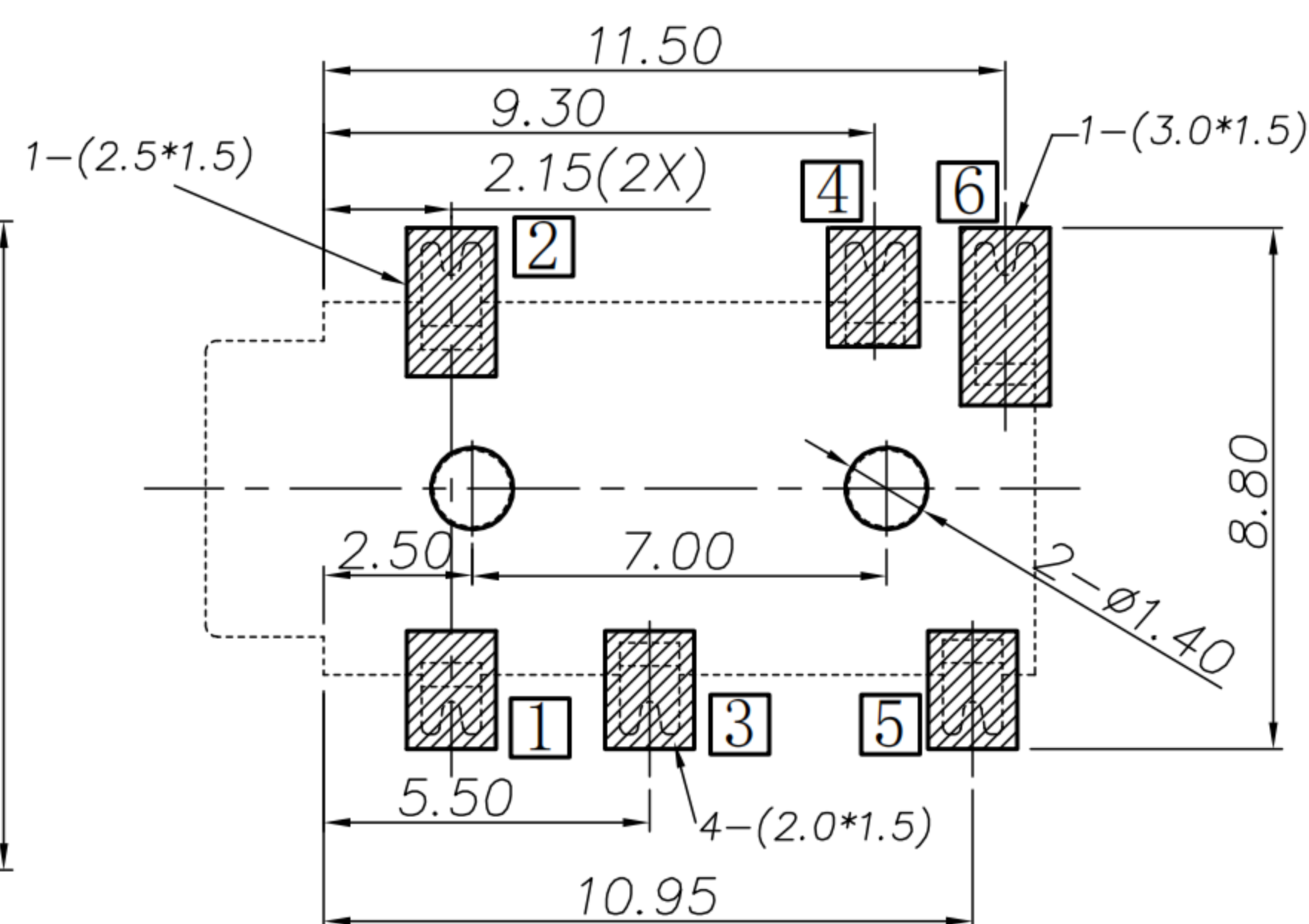
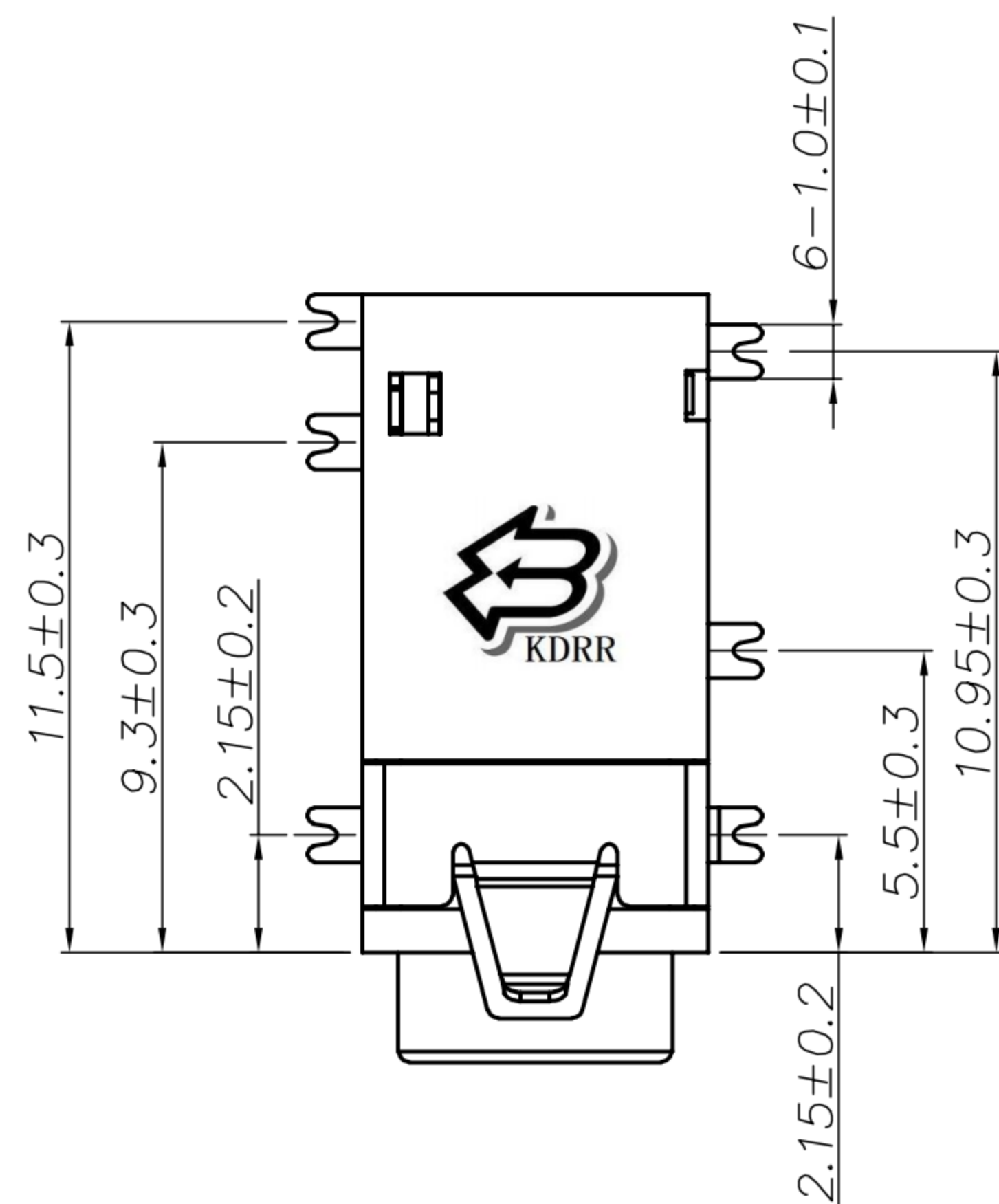


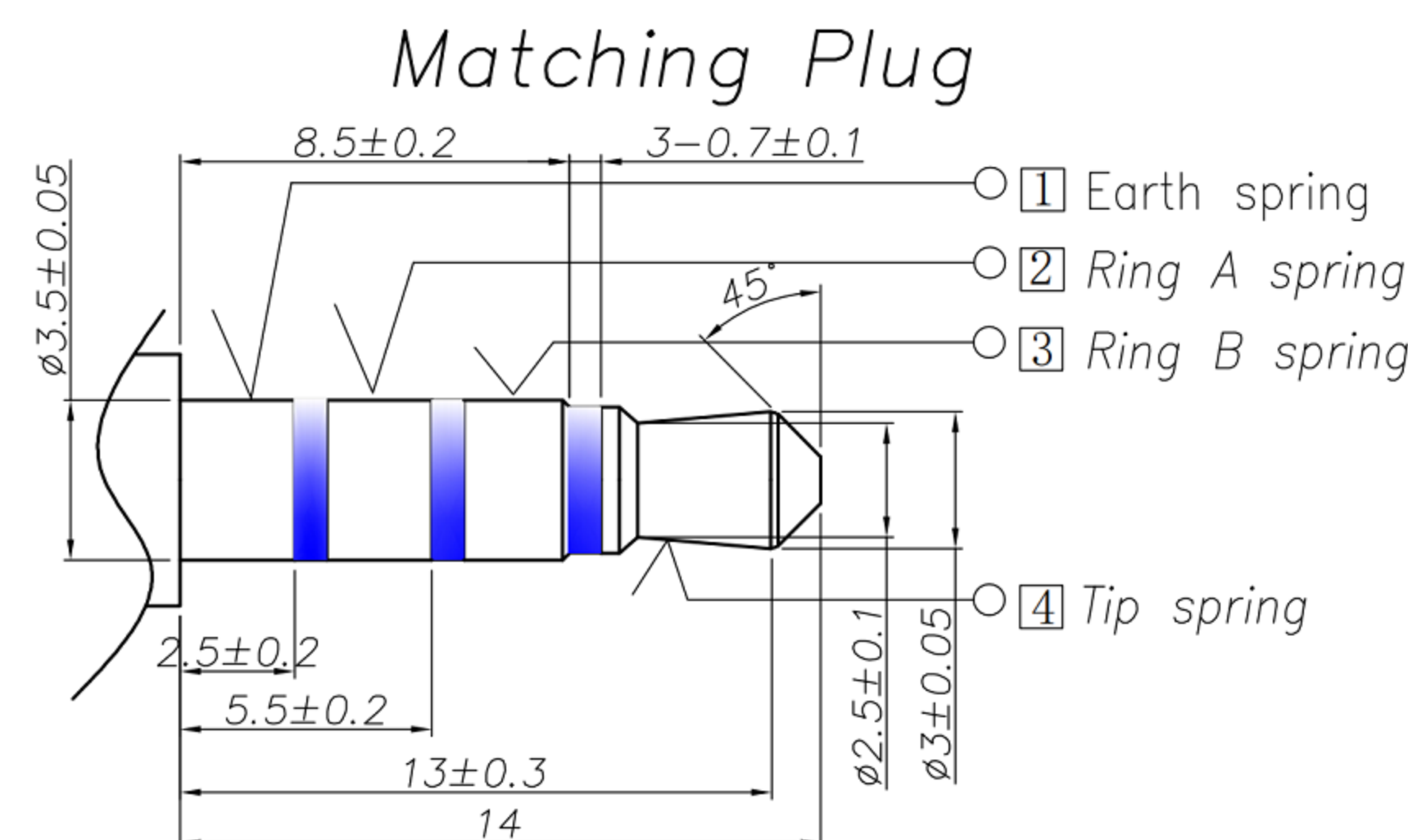
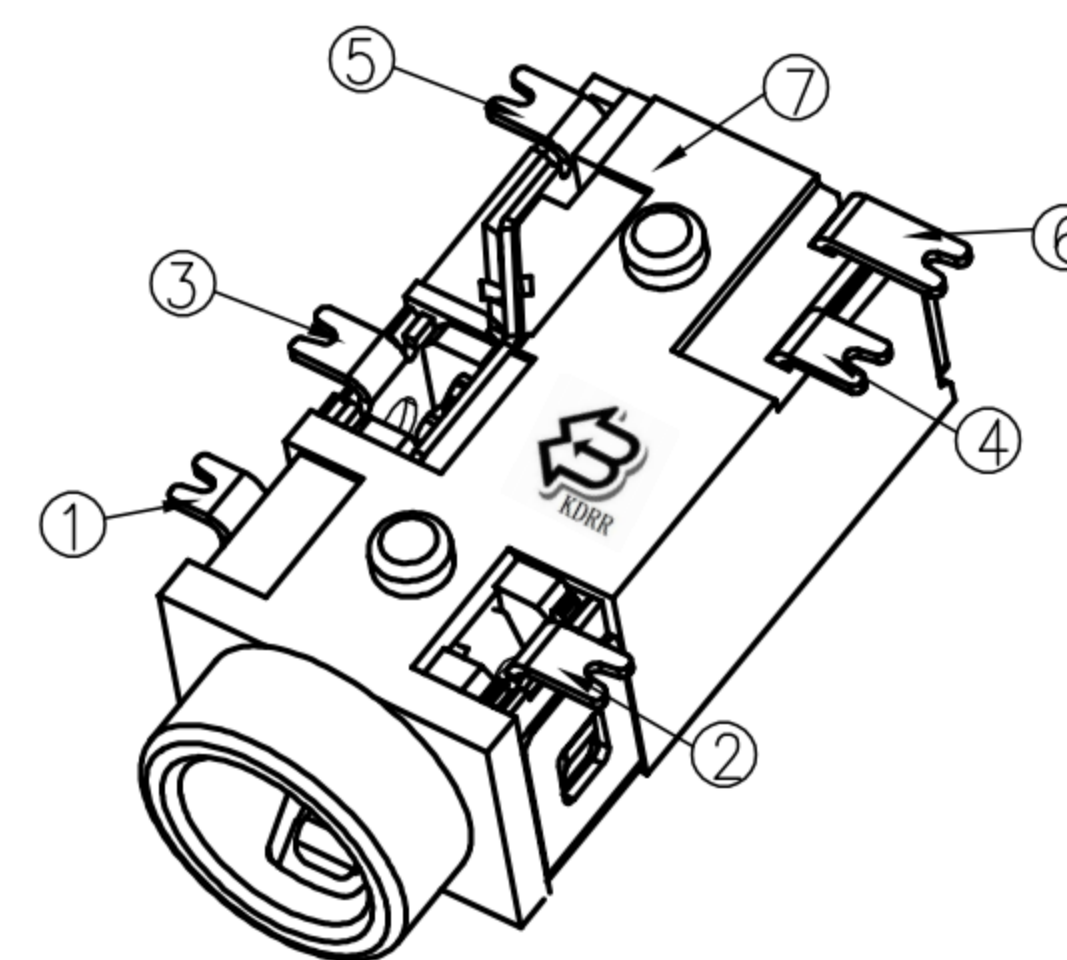
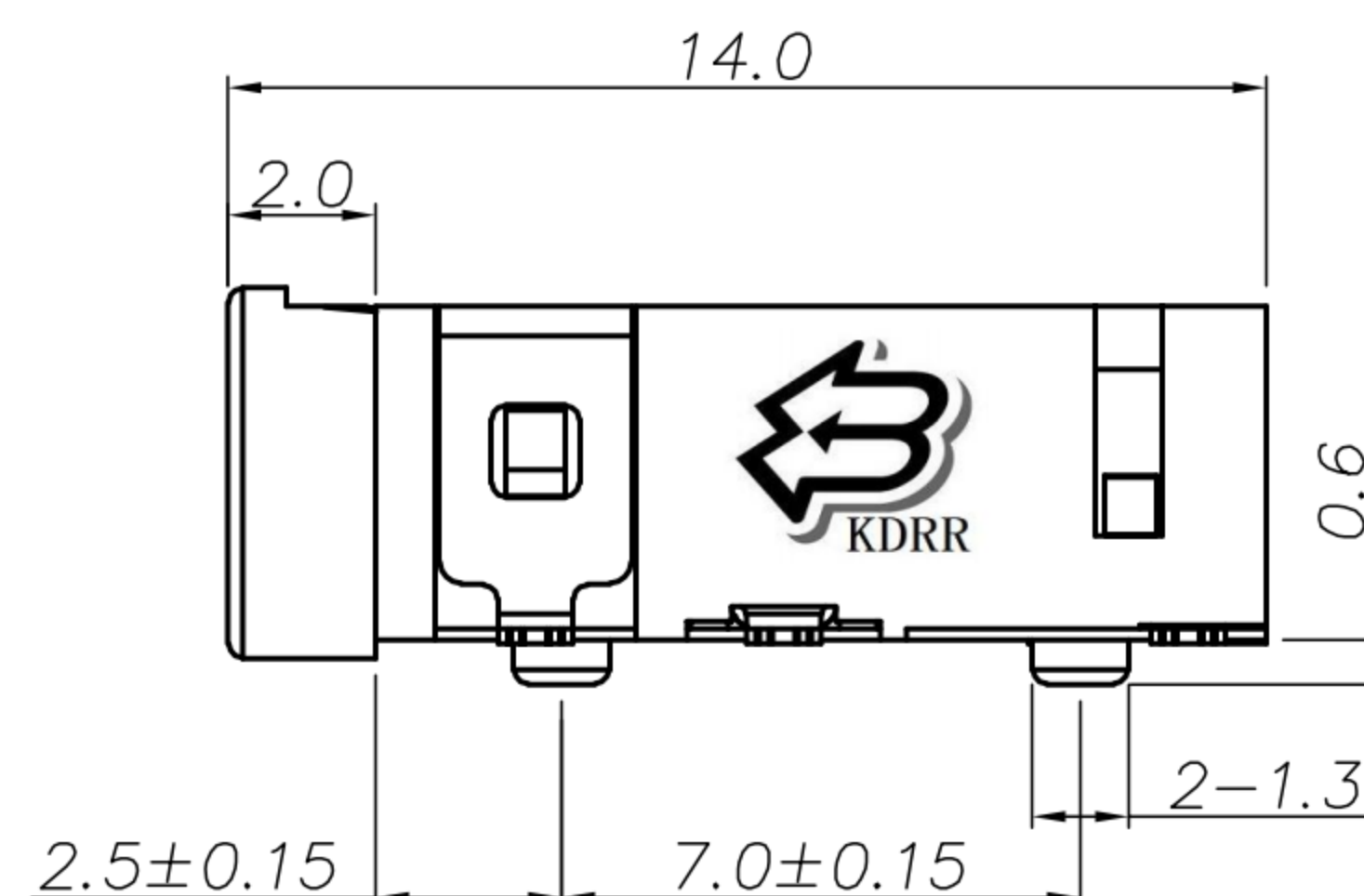
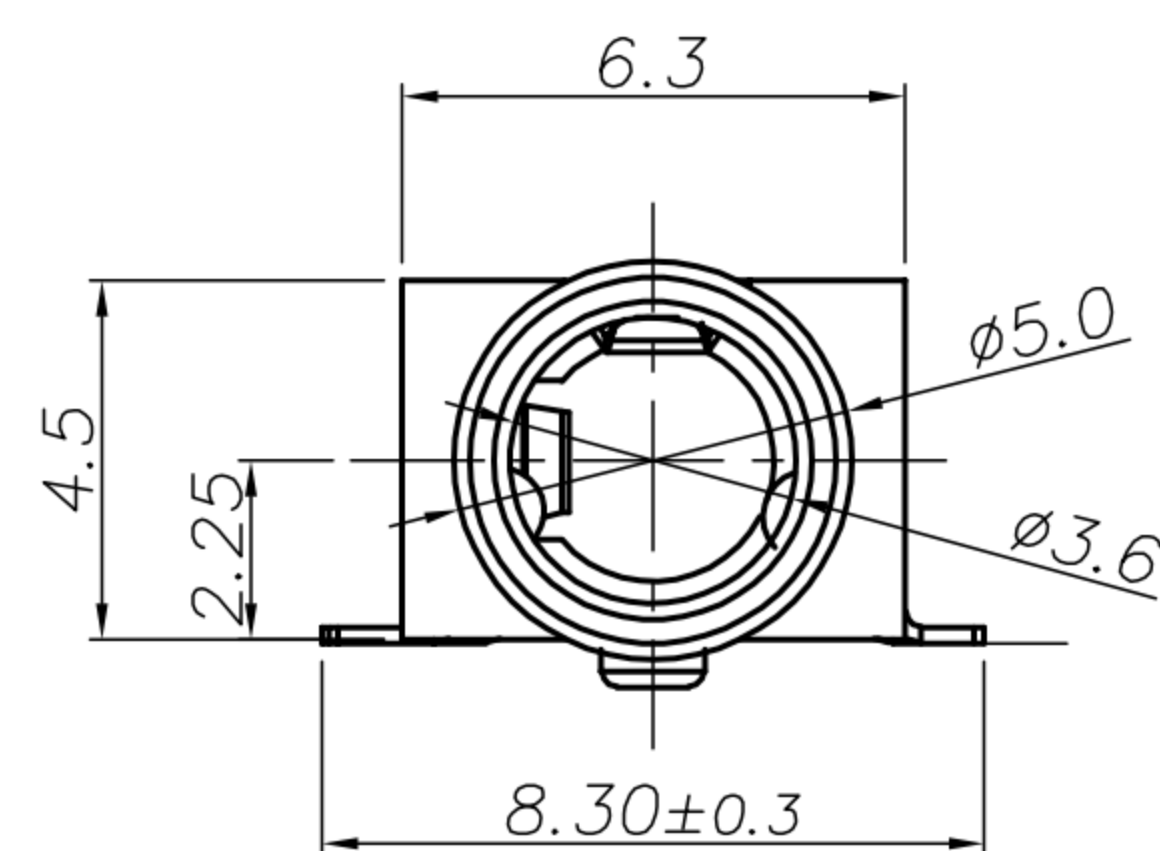


Ordering information:
GD-PJS-32660 _____

- (1): Series No.
- (2): Schematic option: I, J, M
- (3): Material of housing:
LC=LCP
- ② 10=PA10T
- (4): Housing color:
0A=Black
- Zero
- (5): Terminal plating:
G=Au, S=Ag(8u")
- (6): Special option:
00=No special option
- (7): Packing mode:
1=Tape reel packing



P.C.B LAYOUT
TOP VIEW



SCHEMATIC

Model No.	32660-I	32660-J	32660-M
Schematic code			

项目 ITEM	描述 DESCRIPTION	数量 QTY	材质 MATERIAL	备注 REMARK
⑦	Housing	1	LCP G930/PA10T UL94 V-0	BLACK
⑥	Shunt terminal ⑥	1	PHOSPHONR BRONZE T=0.2	See P/N
⑤	Shunt terminal ⑤	1	PHOSPHONR BRONZE T=0.2	See P/N
④	Tip spring ④	1	PHOSPHONR BRONZE T=0.2	See P/N
③	Ring B spring ③	1	PHOSPHONR BRONZE T=0.2	See P/N
②	Ring A spring ②	1	PHOSPHONR BRONZE T=0.2	See P/N
①	Earth spring ①	1	PHOSPHONR BRONZE T=0.2	See P/N

Specification:

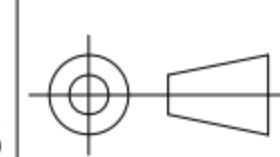
1. Rating : DC 30V 0.5A.
2. Contact resistance: ≤50mΩ.
After test: ≤100mΩ.
3. Insulation resistance: ≥100MΩ (500VDC).
After test: ≥50MΩ.
4. Withstanding voltage: 500VAC.
5. Insertion and extraction force: 3N~30N.
6. Life test: 5000cycles min.
7. Operation temperature range: -20°C~70°C.
8. Preservative temperature range: -40°C~85°C.

ITEM NO.	DESCRIPTION	DRAWN	DATE
5	新增PLUG標號	Jack	052819
4	更新圖面	Jack	052419
3	新增3d上方圖	Jack	101918
2	更新圖面	Jack	092818
1	新增尺寸	Jack	070717

TOLERANCE UNLESS OTHERWISE STATED:

Up to 5 ±0.2
Above 5 ~ 15 ±0.3
Above 15 ~ 30 ±0.4
Above 30 ~ 50 ±0.5
Angle ±0.3°

3RD. ANGEL'S



UNITS

MM



东莞市高迪电子有限公司

Dong Guan KDRR Electronic Switch Jack Co., Ltd.

DRAWN BY: DATE
Ming Ming Zou 6/8/23

CHECKED BY: DATE
Ning Ning Su 6/8/23

APPROVED BY: DATE
Jia Xiang 6/8/23

MAT'L	TITLE	JACK
FINISH	MODLE	PHONE JACK
SCALE 1:1	DWG NO.	GD-PJS-32660
SHEET NO. 1 of 1	PART NO.	

SIZE A4
VER R5